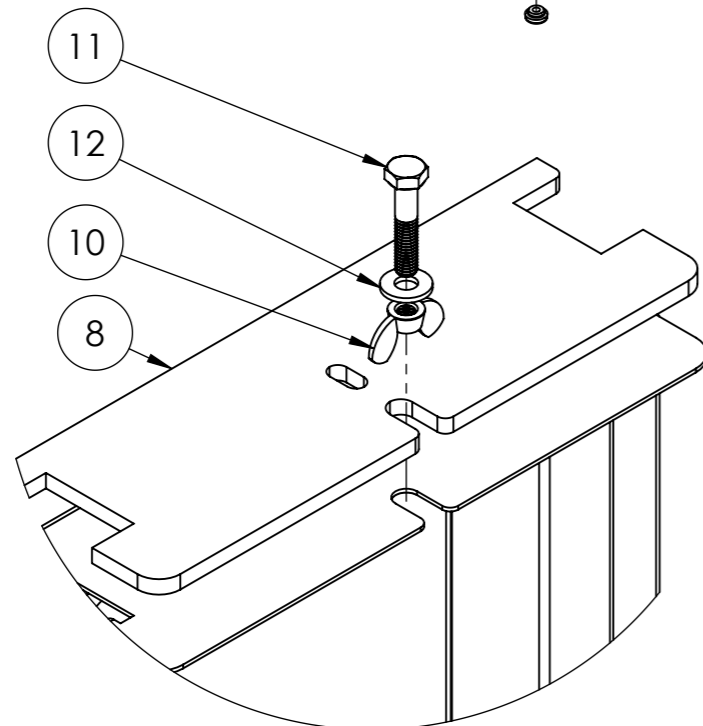
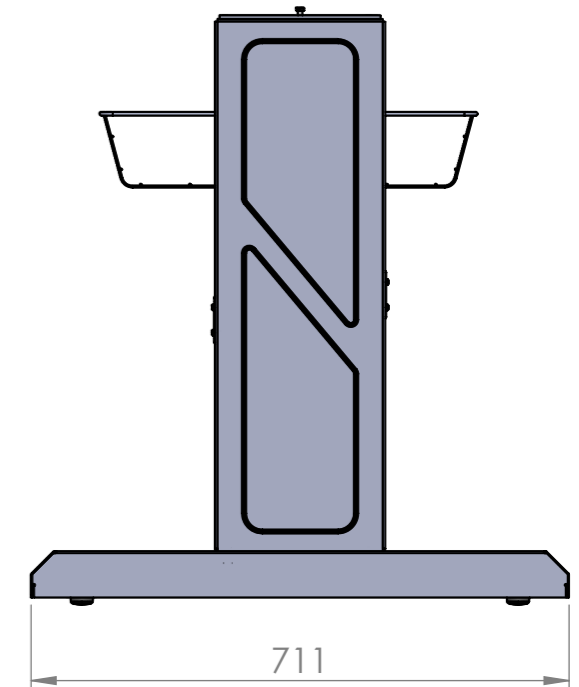
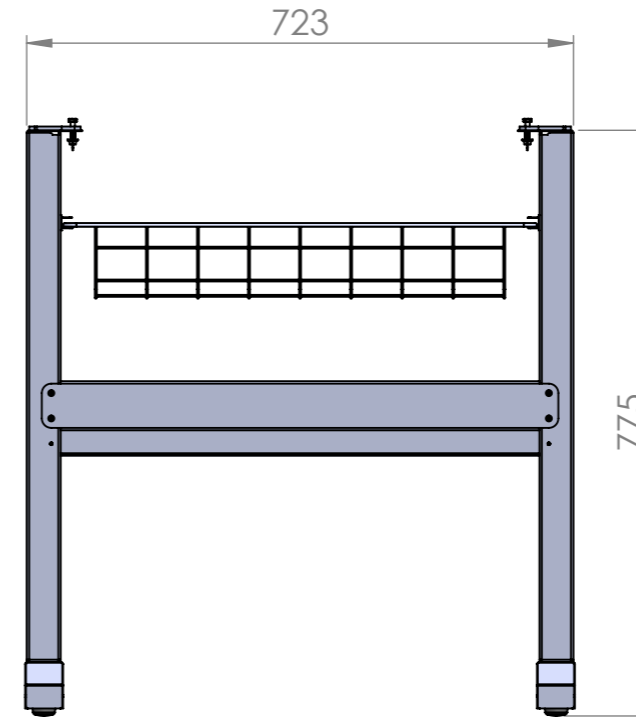
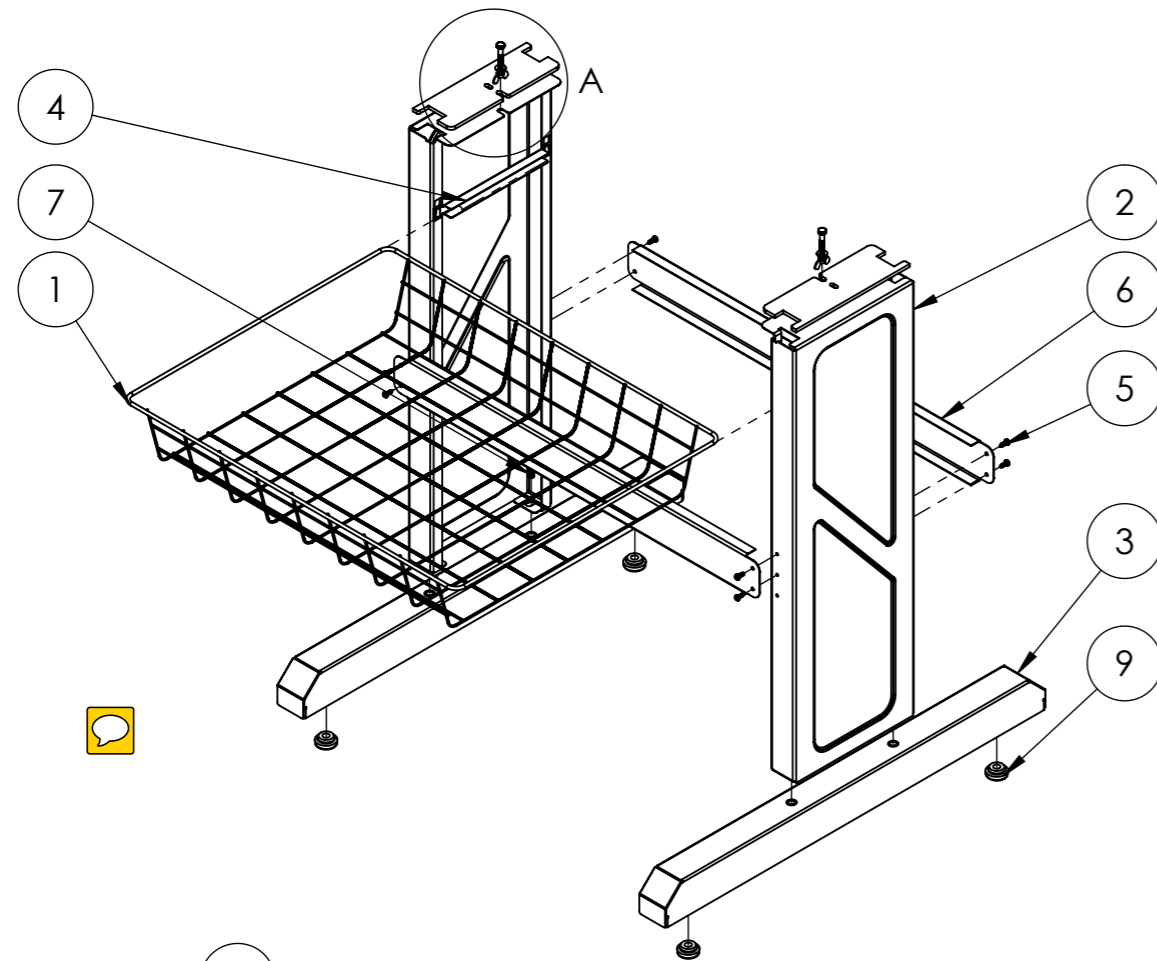


REVISIONS				
ZONE	REV.	DESCRIPTION	DATE	APPROVED



ITEM NO.	PART NUMBER	DESCRIPTION	QTY.
1	10194_S3Korg		1
2	10401_Ben_vänster	20120112	2
3	10402_Fot		2
4	10405_Guider		2
5	C ST4,2x13	Tapping screw ST4,2x13	8
6	10404_Mellanstag		2
7	ISO 7045 M8x20 PH 4	Machine screw M8x20	4
8	10227_Mellanlägg		2
9	1287331_Gummifot		4
10	Vingmutter M6 FZB		2
11	M6S 8.8 FZB M6X30	M6S 8.8 FZB	2
12	6,4 Bricka FXB DIN 134	Bricka FZB	2

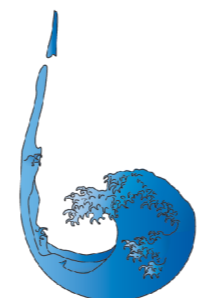
UNLESS OTHERWISE SPECIFIED: DIMENSIONS ARE IN MILLIMETERS SURFACE FINISH: TOLERANCES: LINEAR: ANGULAR:		FINISH: White	DEBUR AND BREAK SHARP EDGES	DO NOT SCALE DRAWING	REVISION
NAME	SIGNATURE	DATE	TITLE: Stativ KM600		
DRAWN JB		20151209	DWG NO. 10406_Stativ_KM600		
CHK'D			SCALE:1:10		
APP'VD			SHEET 1 OF 1		
MFG			A3		
Q.A			WEIGHT:		

Berthag Engineering AB
Vassviksvägen 10
311 69 Ugglarp
Sweden

Telefon: 070 227 36 36
e-mail: info@berthag.com
Hemsida: www.Berthag.com
Skype: Berthag_Engineering_AB



Ladda hem en QR-läsare till din mobiltelefon från AppStore eller Android market.



BERTHAG
ENGINEERING