

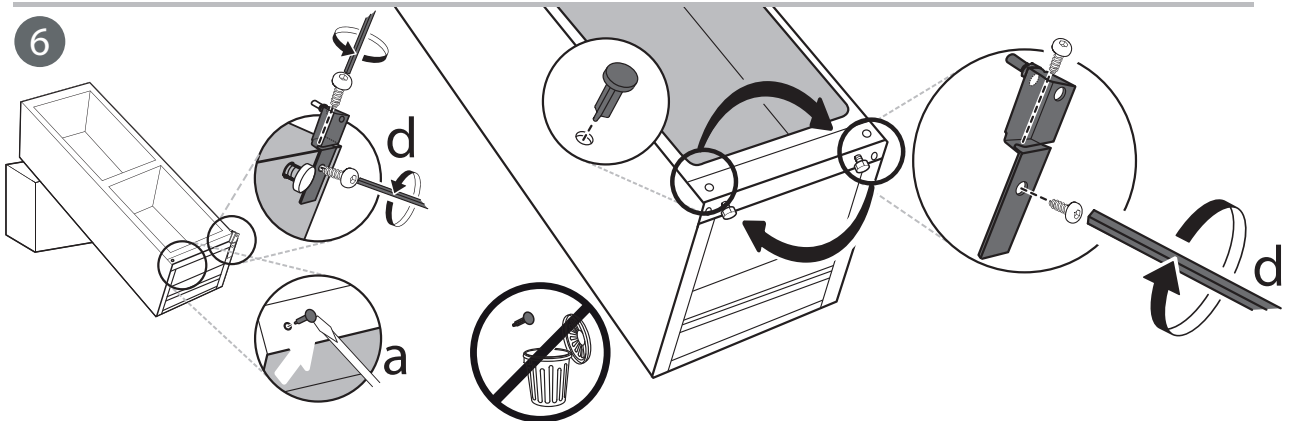
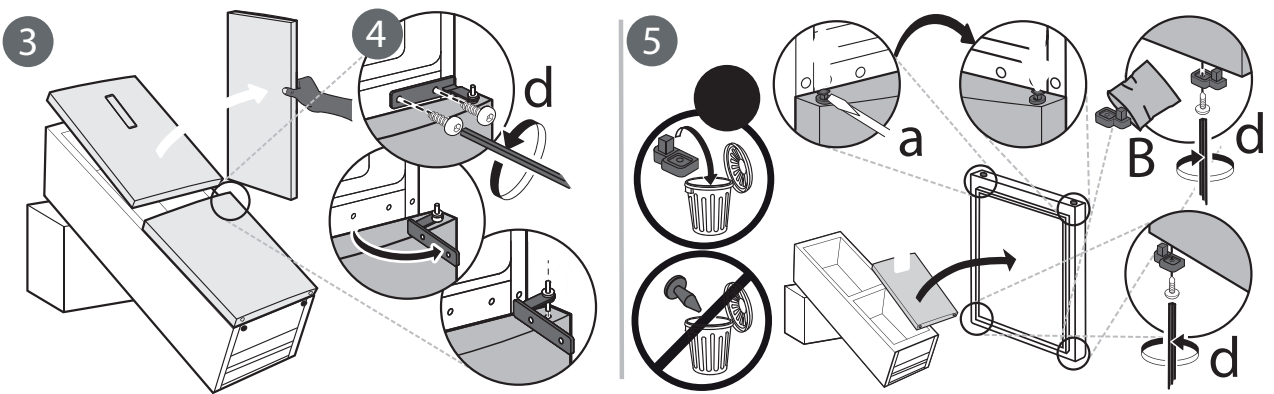
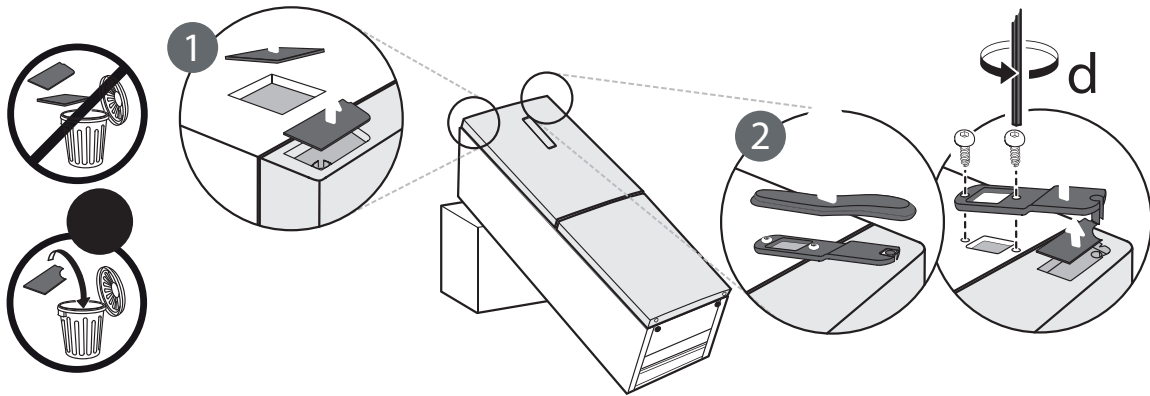
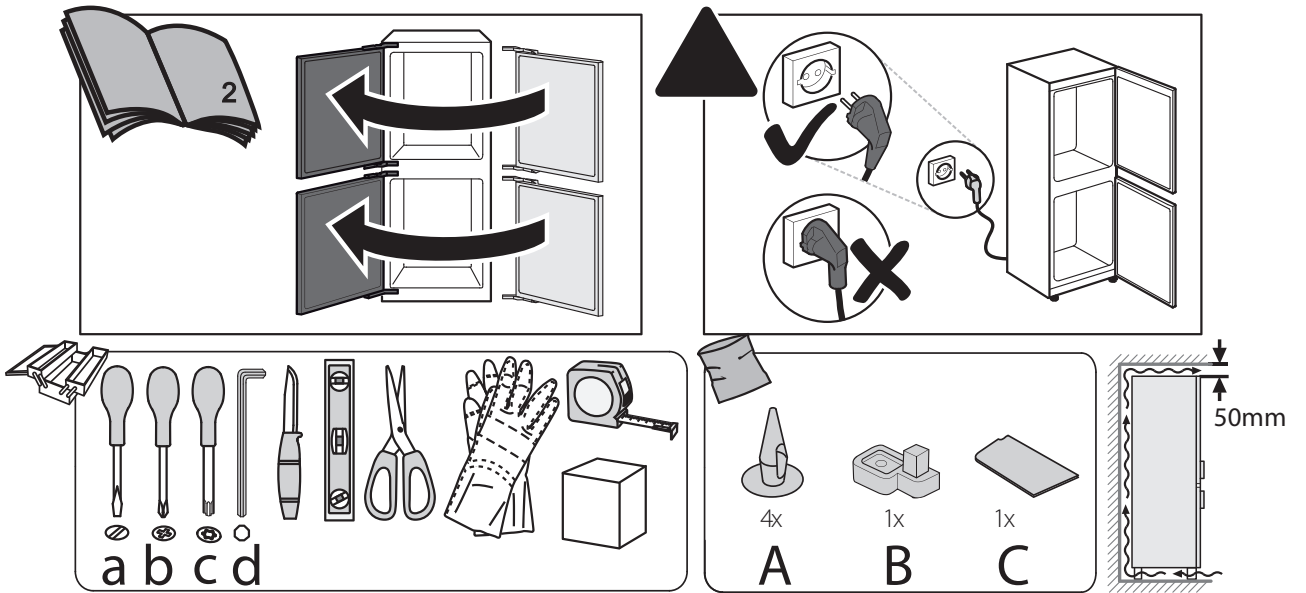
Bruksanvisning User manual

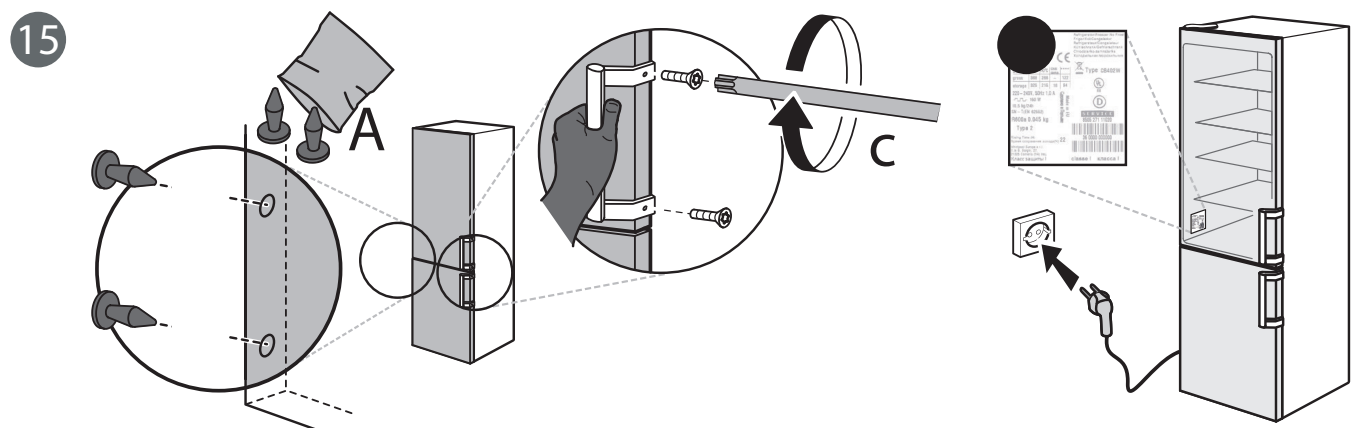
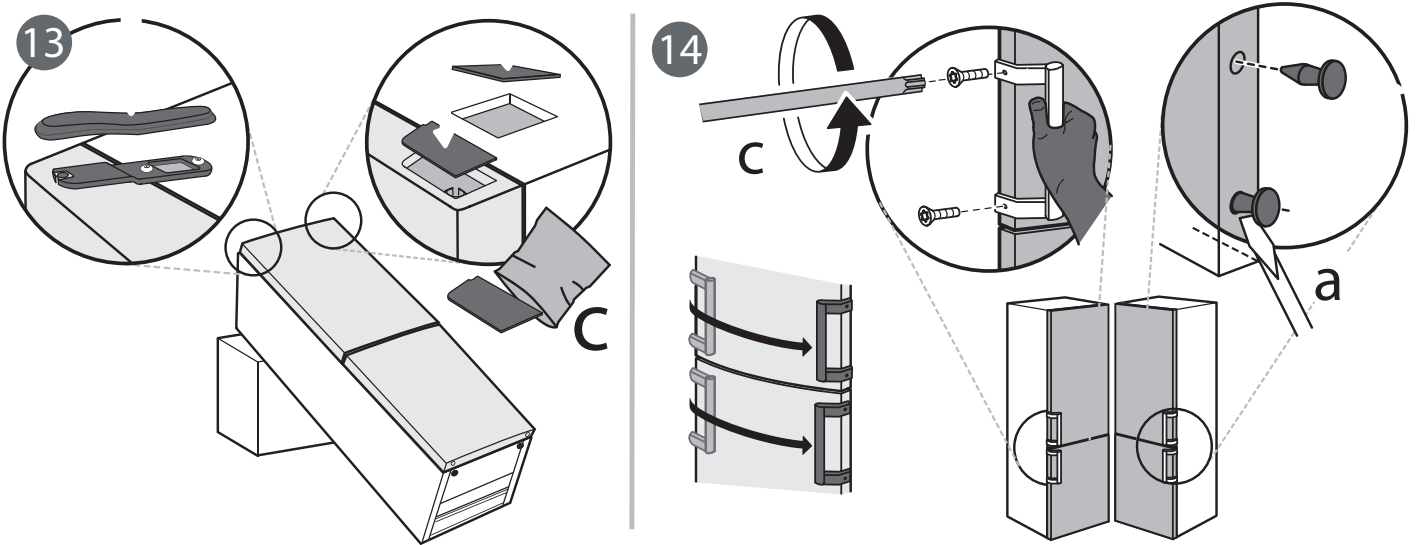
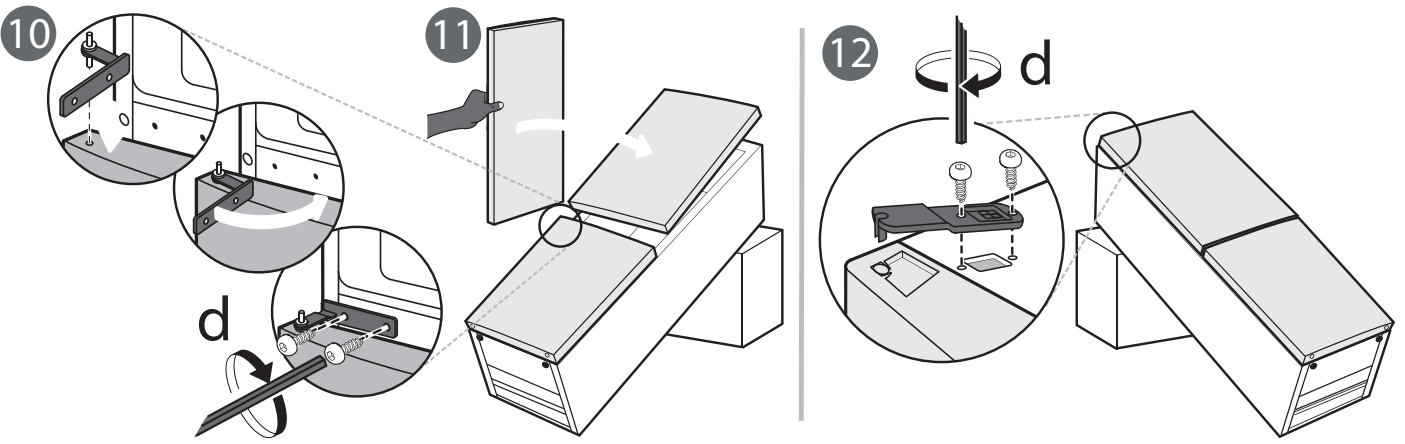
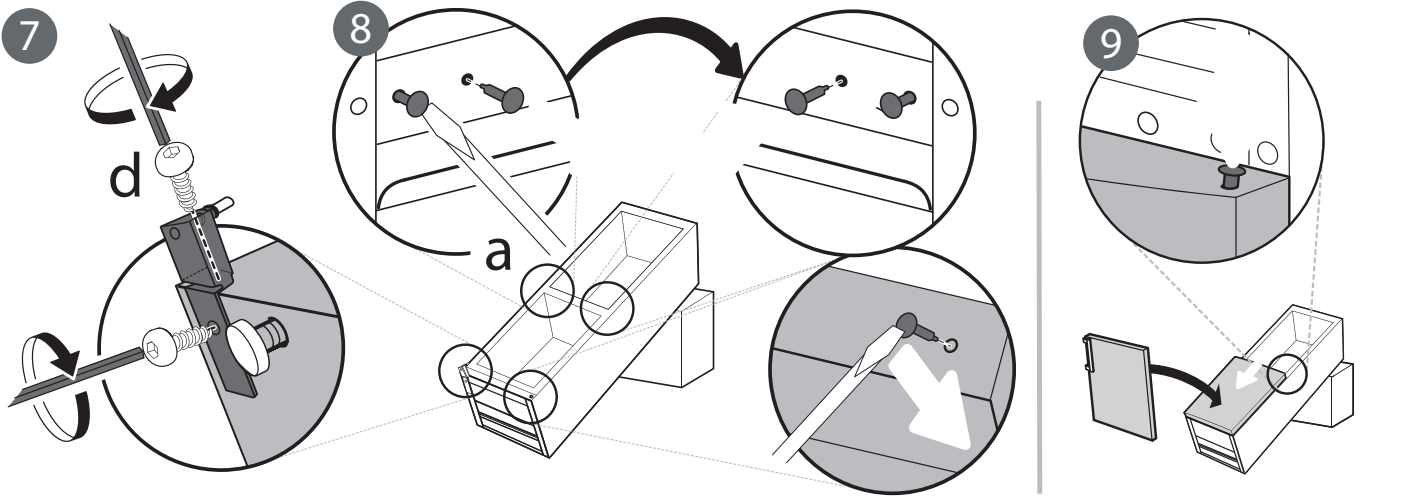


INDEX

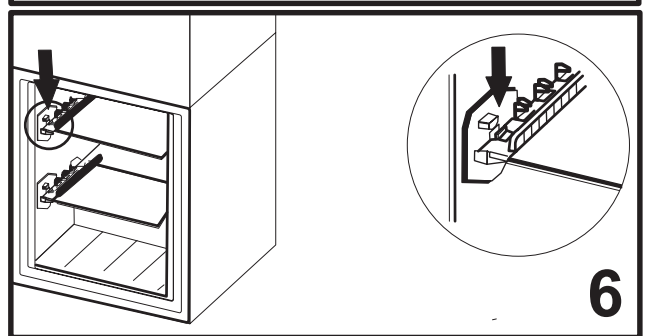
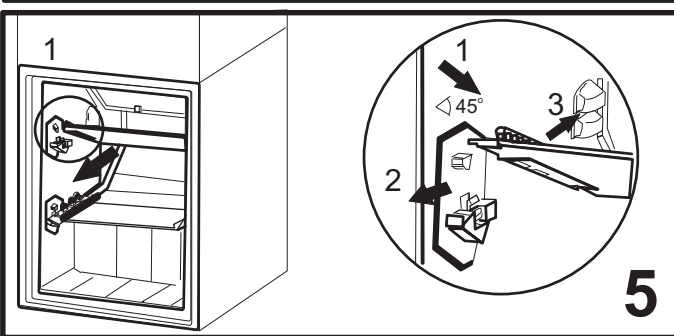
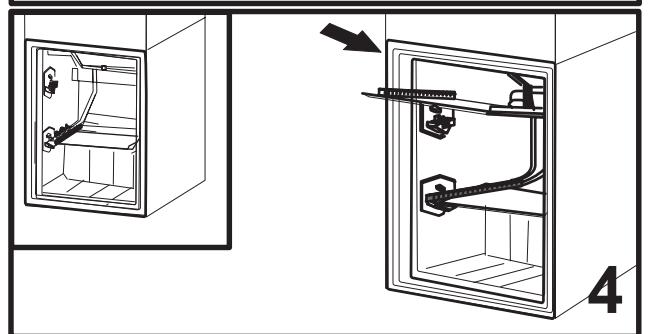
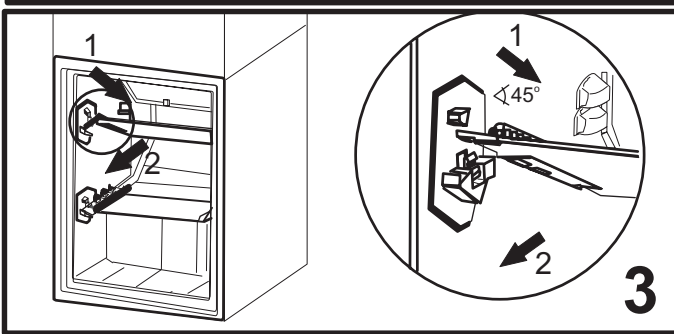
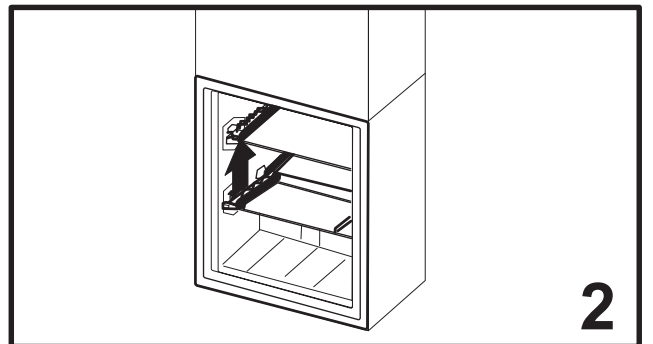
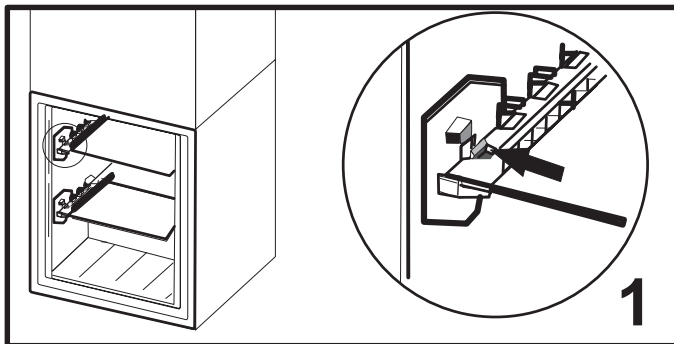
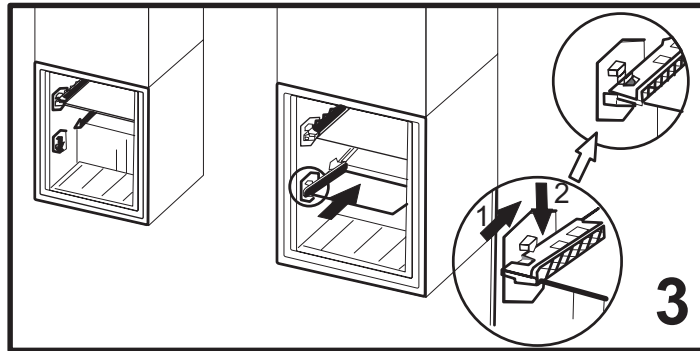
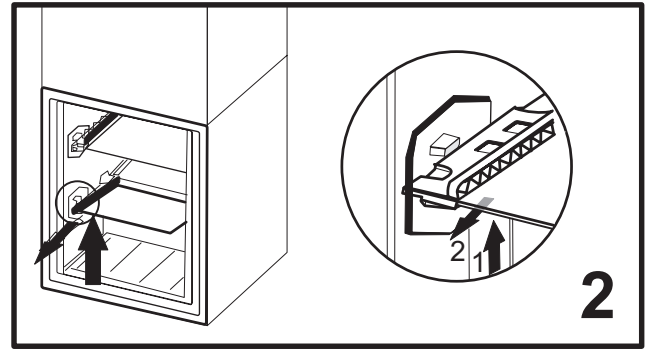
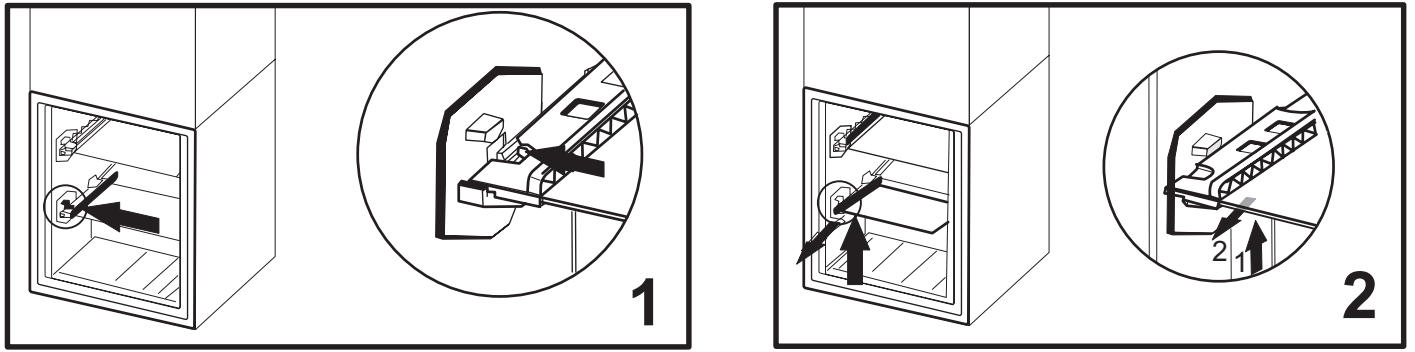
Health and safety guide	3
Installation	3
Safety instructions	6
Use and Care guide	9
First time use	9
Control panel.....	9
How to use the appliance	10
How to store fresh food and beverages	10
Food shelf life at different tempertures	10
Accessories*	11
General information	11
Shelves and door balconies	11
Removing the freezer drawer container	11
Door	11
Troubleshooting	12
Alarm table.....	12
Cleaning and maintenance	13
Gasket replacement	14
After-sales service	15

INSTALLATION



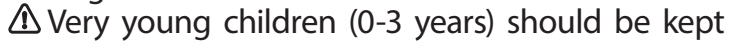


Cylinda




SAFETY INSTRUCTIONS


Before using the appliance, read these safety instructions. Keep them nearby for future reference. These instructions and the appliance itself provide important safety warnings, to be observed at all times. The manufacturer declines any liability for failure to observe these safety instructions, for inappropriate use of the appliance or incorrect setting of controls.

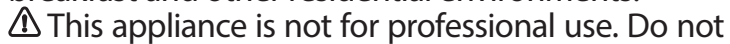
 Very young children (0-3 years) should be kept away from the appliance. Young children (3-8 years) should be kept away from the appliance unless continuously supervised. Children from 8 years old and above and persons with reduced physical, sensory or mental capabilities or lack of experience and knowledge can use this appliance only if they are supervised or have been given instructions on safe use and understand the hazards involved. Children must not play with the appliance. Cleaning and user maintenance must not be carried out by children without supervision.

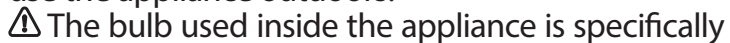
Children aged from 3 to 8 years are allowed to load and unload refrigerating appliances.


PERMITTED USE

 CAUTION: The appliance is not intended to be operated by means of an external switching device, such as a timer, or separate remote controlled system.

 This appliance is intended to be used in household and similar applications such as: staff kitchen areas in shops, offices and other working environments; farm houses; by clients in hotels, motels, bed & breakfast and other residential environments.

 This appliance is not for professional use. Do not use the appliance outdoors.

 The bulb used inside the appliance is specifically designed for domestic appliances and is not suitable for general room lighting within the home (EC Regulation 244/2009).

 The appliance is designed for operation in places where the ambient temperature comes within the following ranges, according to the climatic class given on the rating plate. The appliance may not work properly if it is left for a long time at a temperature outside the specified range.


Climatic class ambient temperatures:

SN: From 10°C to 32°C ;

N: From 16°C to 32°C

ST: From 16°C to 38°C ;

T: From 16°C to 43°C


 This appliance does not contain CFCs. The refrigerant circuit contains R600a (HC).


IMPORTANT TO BE READ AND OBSERVED


Appliances with Isobutane (R600a):

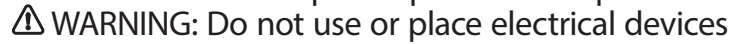
isobutane is a natural gas without environmental impact, but is flammable.

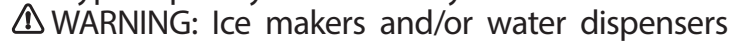
Therefore, make sure the refrigerant circuit pipes are not damaged, especially when emptying the refrigerant circuit.


 WARNING: Do not damage the appliance refrigerant circuit pipes.


 WARNING: Keep ventilation openings, in the appliance enclosure or in the built-in structure, clear of obstruction.

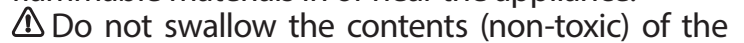
 WARNING: Do not use mechanical, electric or chemical means other than those recommended by the Manufacturer to speed up the defrost process.

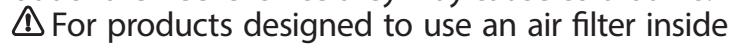
 WARNING: Do not use or place electrical devices inside the appliance compartments if they are not of the type expressly authorised by the Manufacturer.

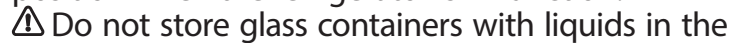
 WARNING: Ice makers and/or water dispensers not directly connected to the water supply must be filled with potable water only.

 WARNING: Automatic ice-makers and/or water dispensers must be connected to a water supply that delivers potable water only, with mains water pressure between 0.17 and 0.81 MPa (1.7 and 8.1 bar).

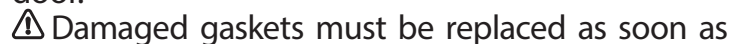
 Do not store explosive substances such as aerosol cans and do not place or use gasoline or other flammable materials in or near the appliance.


 Do not swallow the contents (non-toxic) of the ice packs (provided with some models). Do not eat ice cubes or ice lollies immediately after taking them out of the freezer since they may cause cold burns.


 For products designed to use an air filter inside an accessible fan cover, the filter must always be in position when the refrigerator is in function.

 Do not store glass containers with liquids in the freezer compartment since they may break.

Do not obstruct the fan (if included) with food items. After placing the food check that the door of compartments closes properly, especially the freezer door.


 Damaged gaskets must be replaced as soon as possible.

 Use the refrigerator compartment only for storing fresh food and the freezer compartment only for storing frozen food, freezing fresh food and making ice cubes.

 Do not store unwrapped food in the refrigerator or freezer compartments to avoid direct contact with internal surfaces.

Appliances could have special compartments (Fresh Food Compartment, Zero Degree Box,...).

Unless differently specified in the specific booklet of product, they can be removed, maintaining equivalent performances.

 C-Pentane is used as blowing agent in the insulation foam and it is a flammable gas.

The most appropriate compartments of the appliance where specific types of food are to be stored, taking into account different temperature distribution in different compartments in the appliance, are as follows:

- Refrigerator compartment:

1) Upper area of the refrigerator compartment & door - temperature zone: Store tropical fruit, cans, drinks, eggs, sauces, pickles, butter, jam

2) Middle area of the refrigerator compartment - cool zone: Store cheese, milk, dairy food, deli food, yoghurt

3) Lower area of the refrigerator compartment - coldest zone: Store cold cuts, desserts, meat and fish, cheesecake, fresh pasta, sour cream, pesto/salsa, home-cooked food, pastry cream, pudding and cream cheese

4) Fruit & vegetable drawer at the bottom of the refrigerator compartment: Store vegetables and fruits (excluding tropical fruits)

5) Chiller compartment: Only store meat and fish in the coldest drawer

- Freezer compartment:

4 star zone (****) compartment is suitable for freezing foodstuffs from ambient temperature and for storing frozen food as the temperature is evenly distributed throughout the entire compartment.

Purchased frozen food has the storage expiration date stated on the packaging. This date takes into account the type of food being stored and therefore this date should be respected. Fresh food should be stored for the following time periods: 1-3 months for cheese, shellfish, ice cream, ham/sausage, milk, fresh liquids; 4 months for steak or chops (beef, lamb, pork); 6 months for butter or margarine, poultry (chicken, turkey);

8-12 months for fruits (except citrus), roast meat (beef, pork, lamb), vegetables. Expiration dates on the packaging of foods in the 2-star zone must be respected.

To avoid food contamination, please observe the following:

- Opening the door for long periods can cause a significant increase of the temperature in the compartments of the appliance.

- Regularly clean surfaces that may come into contact with food and accessible drainage systems.

- Clean water tanks if they have not been used for 48 h; flush the water system connected to a water

supply if water has not been drawn for 5 days.

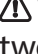
- Store raw meat and fish in suitable containers in the refrigerator, so that it does not come into contact with or drip onto other food.


- Two-star frozen food compartments are suitable for storing pre-frozen food, storing or making ice cream and ice cubes.

- Do not freeze fresh food in one, two or three-star compartments.

- If the refrigerating appliance is left empty for long periods, switch off, defrost, clean, dry, and leave the door open to prevent mould developing inside the appliance.

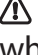
INSTALLATION


 The appliance must be handled and installed by two or more persons - risk of injury. Use protective gloves to unpack and install - risk of cuts.


 Installation, including water supply (if any), electrical connections and repairs must be carried out by a qualified technician. Do not repair or replace any part of the appliance unless specifically stated in the user manual. Keep children away from the installation site. After unpacking the appliance, make sure that it has not been damaged during transport. In the event of problems, contact the dealer or your nearest After-sales Service. Once installed, packaging waste (plastic, styrofoam parts etc.) must be stored out of reach of children

- risk of suffocation. The appliance must be disconnected from the power supply before any installation operation - risk of electrical shock.

During installation, make sure the appliance does not damage the power cable - risk of fire or electrical shock. Only activate the appliance when the installation has been completed.

 Be careful not to damage the floors (e.g. parquet) when moving the appliance. Install the appliance on a floor or support strong enough to take its weight and in a place suitable for its size and use. Make sure the appliance is not near a heat source and that the four feet are stable and resting on the floor, adjusting them as required, and check that the appliance is perfectly level using a spirit level. Wait at least two hours before switching the appliance on, to ensure that the refrigerant circuit is fully efficient.

 WARNING: When positioning the appliance, ensure the supply cord is not trapped or damaged.

 WARNING: To avoid a hazard due to instability, positioning or fixing of the appliance must be done in accordance with the manufacturer instructions.

It's forbidden to place the refrigerator in such way that the metal hose of gas stove, metal gas or water pipes, or electrical wires are in contact with the refrigerator back wall (condenser coil).

⚠ To guarantee adequate ventilation, leave a space on both sides and above the appliance. The distance between the rear of the appliance and the wall behind the appliance should be 50 mm, to avoid access to hot surfaces. A reduction of this space will increase the Energy consumption of product.

Please remove the power cord from condenser hook during installation before connecting product to power supply.

ELECTRICAL WARNINGS

⚠ It must be possible to disconnect the appliance from the power supply by unplugging it if plug is accessible, or by a multi-pole switch installed upstream of the socket in accordance with the wiring rules and the appliance must be earthed in conformity with national electrical safety standards.

⚠ Do not use extension leads, multiple sockets or adapters. The electrical components must not be accessible to the user after installation. Do not use the appliance when you are wet or barefoot.

Do not operate this appliance if it has a damaged power cable or plug, if it is not working properly, or if it has been damaged or dropped.

⚠ If the supply cord is damaged, it must be replaced with an identical one by the manufacturer, its service agent or similarly qualified persons in order to avoid a hazard - risk of electrical shock.

⚠ WARNING: Do not locate multiple portable socket-outlets or portable power supplies at the rear of the appliance.

CLEANING AND MAINTENANCE


⚠ WARNING: Ensure that the appliance is switched off and disconnected from the power supply before performing any maintenance operation. To avoid risk of personal injury use protective gloves (risk of laceration) and safety shoes (risk of contusion); be sure to handle by two persons (reduce load); never use steam cleaning equipment (risk of electric shock).

Non-professional repairs not authorised by the manufacturer could result in a risk to health and safety, for which the manufacturer cannot be held liable. Any defect or damage caused from non-professional repairs or maintenance will not be covered by the guarantee, the terms of which are outlined in the document delivered with the unit.

⚠ Do not use abrasive or harsh cleaners such as window sprays, scouring cleansers, flammable fluids, cleaning waxes, concentrated detergents,


bleaches or cleansers containing petroleum products on plastic parts, interior and door liners or gaskets. Do not use paper towels, scouring pads, or other harsh cleaning tools.

DISPOSAL OF PACKAGING MATERIALS

The packaging material is 100% recyclable and is marked with the recycle symbol . The various parts of the packaging must therefore be disposed of responsibly and in full compliance with local authority regulations governing waste disposal.

DISPOSAL OF HOUSEHOLD APPLIANCES

This appliance is manufactured with recyclable or reusable materials. Dispose of it in accordance with local waste disposal regulations. For further information on the treatment, recovery and recycling of household electrical appliances, contact your local authority, the collection service for household waste or the store where you purchased the appliance. This appliance is marked in compliance with European Directive 2012/19/EU, Waste Electrical and Electronic Equipment (WEEE) and with the Waste Electrical and Electronic Equipment regulations 2013 (as amended). By ensuring this product is disposed of correctly, you will help prevent negative consequences for the environment and human health.

The  symbol on the product or on the accompanying documentation indicates that it should not be treated as domestic waste but must be taken to an appropriate collection center for the recycling of electrical and electronic equipment.

ENERGY SAVING TIPS

Install the appliance in a dry, well ventilated room far away from any heat source (eg. radiator, cooker, etc.) and in a place not exposed directly to the sun. If required, use an insulating plate.

To guarantee adequate ventilation follow installation instructions. Insufficient ventilation at the back of the product increases energy consumption and decreases cooling efficiency.

Frequent door opening might cause an increase in Energy Consumption. The internal temperature of the appliance and the Energy Consumption may be affected also by the ambient temperature, as well as location of the appliance. Temperature setting should take into consideration these factors. Reduce door opening to minimum.

When thawing frozen food, place it in the refrigerator. The low temperature of the frozen products cools the food in the refrigerator.

Allow warm food and drinks to cool down before placing in the appliance. Positioning of the shelves in the refrigerator has no impact on the efficient usage of energy. Food should be placed on the shelves in such way to ensure proper air circulation (food should not touch each other and distance between food and rear wall should be kept).

You can increase storage capacity of frozen food by removing baskets and, if present, Stop Frost shelf.

Do not worry about noises coming from the compressor which are normal operation noises.





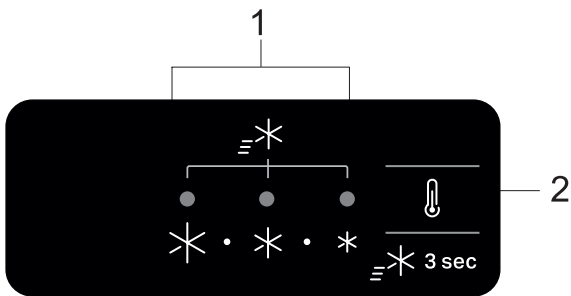
Before using the appliance carefully read the Safety Instruction.

FIRST TIME USE

After installation, wait at least two hours before connecting the appliance to the power supply. Once connected, it will start working automatically. The ideal temperature settings are preset from the factory.

After turning the appliance on, wait 4-6 hours for it to reach the correct food storage temperature.

CONTROL PANEL



1. Indicator Leds (to display the current temperature set point or the Super Freezing function)
2. Super Cooling Button / Temperature Button

TEMPERATURE SETTING

Press the Temperature button on the control panel to adjust the temperature from the warmest through the lower to the coldest level. Pressing the Temperature button, the temperature setting will change cyclically. At first plug-in of appliance temperature setpoint is present at medium position (factory setting). Following table shows temperature setpoints:

<input type="radio"/> <input type="radio"/> <input checked="" type="radio"/>	High temp.
<input type="radio"/> <input checked="" type="radio"/> <input checked="" type="radio"/>	Med-high temp.
<input type="radio"/> <input checked="" type="radio"/> <input type="radio"/>	Medium temp.
<input checked="" type="radio"/> <input checked="" type="radio"/> <input type="radio"/>	Med-low temp.
<input checked="" type="radio"/> <input type="radio"/> <input type="radio"/>	Low temp.
<input checked="" type="radio"/> <input checked="" type="radio"/> <input checked="" type="radio"/>	Super cooling
<input type="radio"/> ... <input type="radio"/>	

OFF ON

Recommended setting:

- Refrigerator compartment: +4°C or MED
- Freezer compartment: -18°C or -20°C

Note: Displayed set points correspond to the average temperature throughout the whole refrigerator.

SUPER COOLING

The use of this function is recommended when placing a very high quantity of food to be frozen in the freezer compartment. 24 hours before freezing fresh food, press and hold for 3 seconds the Super Cooling button / Temperature button on the control panel till all the 3 LEDs will turn on, to activate the Super Cooling function. After 24 hours place the food to be frozen in the freezing zone drawer of freezer compartment. The function is automatically deactivated after 24 hours and return to previous selected set point.



The function can be manually deactivated by pressing and holding for 3 seconds the Temperature button on the control panel.

LED LIGHT

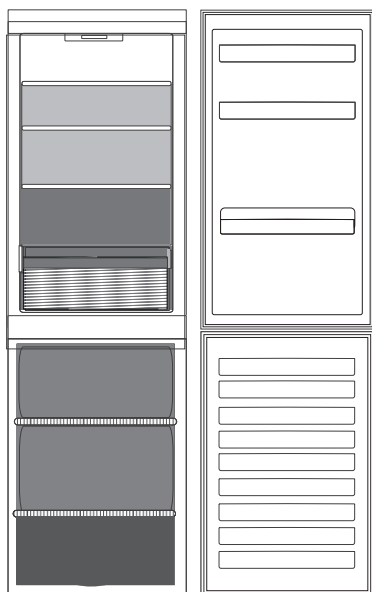
This product contains a light source of energy efficiency class G. If the LED light system does not work, please contact the Service to replace it.

Important: The refrigerator compartment light switches on when the refrigerator door is opened. If the door is kept open for more than 8 minutes the light will be automatically switched off.







* Available only on certain models

HOW TO USE THE APPLIANCE

HOW TO STORE FRESH FOOD AND BEVERAGES



Legend

	TEMPERATE ZONE Suggested for storage of tropical fruit, cans, drinks, eggs, sauces, pickles, butter, jam
	COOL ZONE Suggested for the storage of cheese, milk, daily food, delicatessen, yogurt
	COOLEST AREA Suggested for storage of cold cuts, desserts, meat and fish
	FRUIT & VEGETABLE DRAWER
	FREEZER DRAWERS (One drawer in models lower than 1,7m)
	FREEZING ZONE DRAWER (Max cool zone) Suggested to freeze fresh / cooked food

REFRIGERATION COMPARTMENT

Refrigerator compartment defrosting is completely automatic. Droplets of water on the rear wall inside the refrigerator compartment indicate that the automatic defrost phase is in progress.

The defrost water is automatically run into a drain hole and collected in a container, where it evaporates.

FREEZER COMPARTMENT

No Frost freezers provide chilled air circulation around the storage areas, and prevent the formation of ice, thereby completely eliminating the need for defrosting.

Frozen items don't stick to the walls, labeling stays legible and storage space remains neat and clear.

The freezer compartment allows for the storage of frozen food and the freezing of fresh food. The quantity of fresh food that can be frozen in a specific time period is indicated on the rating plate. Arrange the fresh food in the freezing area inside the freezer compartment, leaving enough space around it to allow air to circulate freely. Avoid allowing fresh food to come into direct contact with frozen food. Load limits are determined by baskets, flaps, drawers, shelves etc..

Make sure that these components can still close easily after loading. The freezing zone's drawer/compartment is shown in the picture above. To optimize freezing speed and get more storage space, the freezer compartment can be used without the freezer drawers and the food can be placed directly on the bottom of the compartment. To avoid food waste, please refer to the recommended setting and storage found in the online user manual.

Ice cubes

Fill 2/3 of the ice tray with water and place it back in the freezer compartment. Do not use sharp or pointed objects to remove the ice.

FOOD SHELF LIFE AT DIFFERENT TEMPERATURES

Product	FROZEN COMPARTMENT		
	Storage period (-12°C)	Recommended Storage period (-18°C)	Storage period (-24°C)
Butter or margarine	1 month	6 months	9 months
Fish	1 month	1-3 months	6 months
Fruits (except citrus) & Vegetables	1 month	8-12 months	12 months
Meat- Ham- sausage Roasts (beef-pork- lamb) Steaks or chops (beef-lambpork)	1 month	2 months 8-12 months 4 months	12 months
Milk, Fresh fluid, Cheese, Ice cream or sherbet	1 month	1-3 months	5 months (not recommended for ice cream)
Poultry (chicken-turkey)	1 month	5-7 months	9 months

* Available only on certain models

UNFROZEN COMPARTMENT

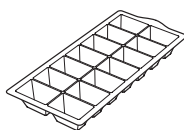
Product	Storage period 0-3°C	Storage period (3-6°C)	Storage period 6-8°C
Cans, drinks, eggs, sauces, pickles, butter, jam	3-4 weeks	3-4 weeks	3-4 weeks
Tropical fruit	Not recommended	2-4 weeks	3-4 weeks
Cheese, milk, dairy food, deli food, yoghurt	2-5 days	2-5 days	2-5 days
Cold cuts, desserts, meat and fish and home-cooked food	3-5 days	1-2 days	Not recommended
Store vegetables and fruits (excluding tropical fruits and citrus)	15 days	10-12 days	4-7 days

ACCESSORIES*

EGG TRAY



ICE TRAY



GENERAL INFORMATION

The drawers, baskets, and shelves should be kept in their current position unless otherwise specified in this quick guide. The light system inside the refrigerator compartment uses LED lights,

which provide better lighting and use less energy than traditional bulbs.

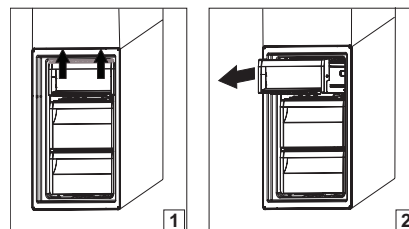
SHELVES AND DOOR BALCONIES

All shelves, flaps and pull-out baskets are removable. The quantity of those components can differ dependently on the model.

Doors and lids of the refrigerator should be removed before disposal, to avoid children or animals getting trapped inside.

REMOVING THE FREEZER DRAWER CONTAINER

- Open the freezer door.
- Pull the upper container upwards by the right and left corners (1).
- Remove the drawer (2).
- Install the upper container in the reverse order.



DOOR

Door reversibility

Note: The direction of door opening can be changed. If this operation is performed by After-sales Service it is not covered by the warranty.

Is recommended to reverse door swing by two persons. Follow instruction in Installation Guide.

* Available only on certain models

TROUBLESHOOTING

What to do if...	Possible reasons	Solutions
The appliance is not working.	There may be an appliance power supply problem.	<ul style="list-style-type: none"> Check if power cable plugged into a live socket with the proper voltage. Check if the protection devices and fuses of the electrical system in your home
There is water in the defrost pan.	This is normal in hot, damp weather. The pan can even be half full.	<ul style="list-style-type: none"> Make sure the appliance is level so that the water does not overflow.
The edges of the appliance cabinet, which come in contact with the door seal, are warm to the touch.	This is not a defect. This is normal in hot weather and when the compressor is running.	
The light does not work.	The light may need replacing. The appliance may be in On/ Stand-by model.	<ul style="list-style-type: none"> Make sure if the protection devices and fuses of the electrical system in your home work well. Check if the power cable is plugged into a live socket with the proper voltage In case the LEDs are broken the user must call the Service for exchange of the same type available only at our Aftersales Service Centers or authorized dealers.
The motor seems to run too much.	Motor running time depends on different things: number of door openings, amount of food stored, temperature of the room, setting of the temperature controls.	<ul style="list-style-type: none"> Make sure that the appliance controls are correctly set. Check if there is not a large amount of food been added to the appliance. Check that the door is not opened too often. Check that the door close properly.
The appliance temperature is too high.	There could be various causes (see "Solutions").	<ul style="list-style-type: none"> Make sure that the condenser (back the appliance) is free of dust and fluff. Make sure that the door properly closed. Make sure that the door seals properly fitted. On hot days or if the room is warm, the motor naturally runs longer. If the appliance door has been left open for a while or if large amounts of food have been stored, the motor will run longer in order to cool down the interior of the appliance.
The doors do not open and close properly.	There could be various causes (see "Solutions").	<ul style="list-style-type: none"> Check that food packages are not blocking the door. Check that the internal parts or automatic ice maker are not out of position. Check that the door seals are not dirty or sticky. Ensure the appliance is level.

ALARM TABLE

Alarm type	Signal	Cause	Cure
Door open alarm.	Refrigerator Light blinks.	The door has remained open for more than 3 minutes.	Close the door.
Door open alarm.	Refrigerator Light OFF.	The door has remained open for more than 4 minutes.	Close the door.
Malfunction.	Any temperature indicators blinks.	Product malfunction.	Contact the After-sales Service.

* Available only on certain models

CLEANING AND MAINTENANCE

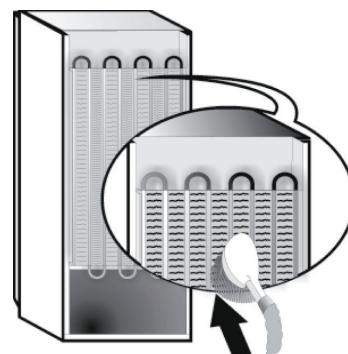
Before any cleaning or maintenance operation, unplug the appliance from the mains or disconnect the electrical power supply.

Never use abrasives. Never clean refrigerator parts with flammable fluids.

Do not use steam cleaners.

The buttons and control panel display must not be cleaned with alcohol or alcohol-derived substances, but with a dry cloth.

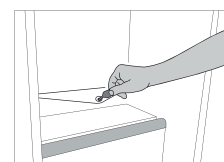
- Periodically clean the appliance with a cloth and a solution of lukewarm water and neutral detergent specifically for refrigerator interiors.
- Clean the outside of the appliance and the door seal with a damp cloth and dry with a soft cloth.
- Condenser placed in the rear of the appliance should be cleaned regularly using a vacuum cleaner.



Important:

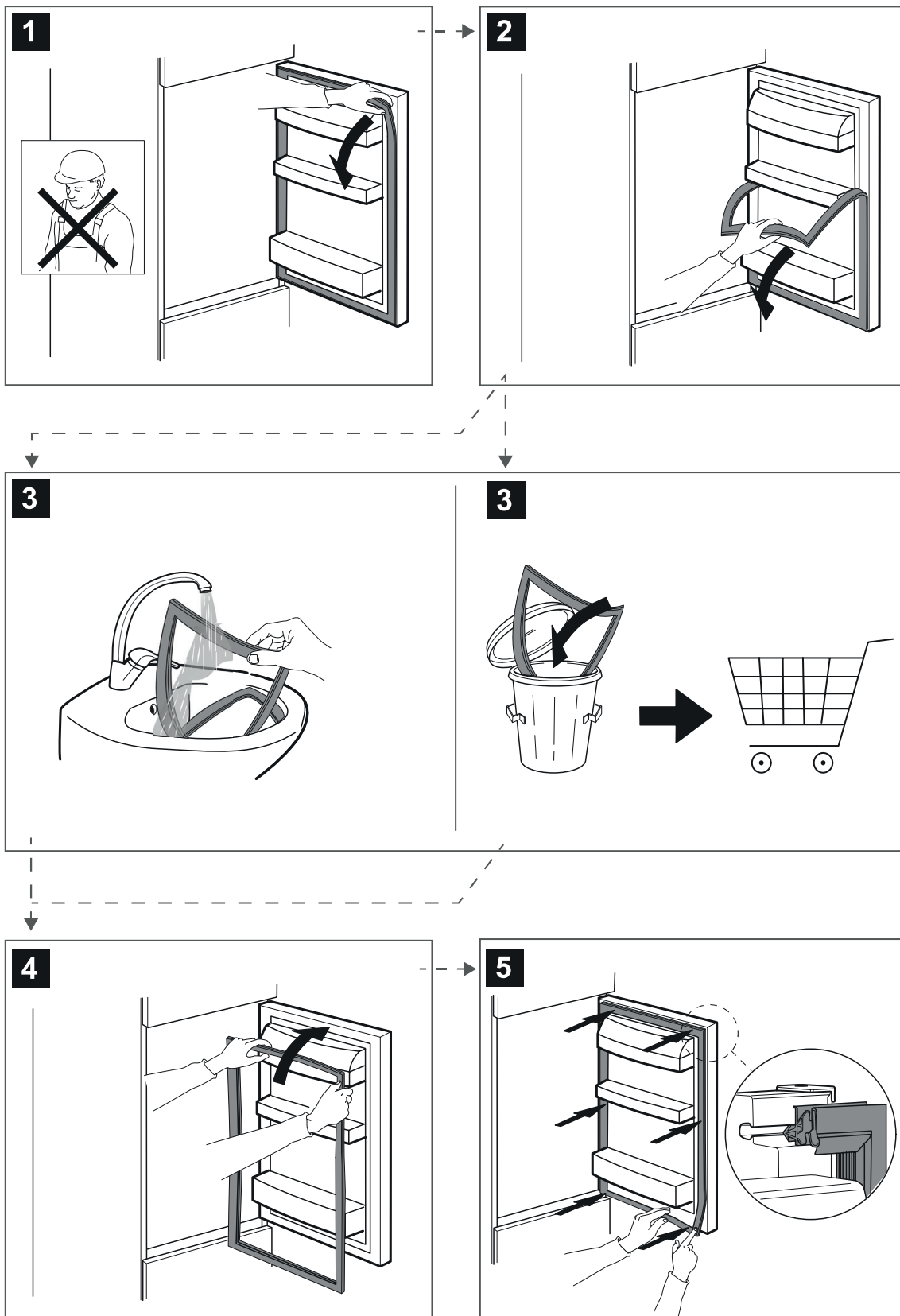
- The buttons and control panel display must not be cleaned with alcohol or alcohol-derived substances, but with a dry cloth.
- The refrigeration system pipes are located near the defrost pan and can become hot. Periodically clean them with a vacuum cleaner.

To ensure the constant and correct flow of the defrosting water, regularly clean the inside of the drain situated in the back wall of the refrigerator compartment, near the fruit and vegetable drawer, using the utensil provided.*



* Available only on certain models

GASKET REPLACEMENT



* Available only on certain models

AFTER-SALES SERVICE

BEFORE CALLING THE AFTER-SALES SERVICE

1. See if you can solve the problem by yourself with the help of the suggestions given in the TROUBLESHOOTING.
2. Switch the appliance off and back on again to see if the fault persists.

IF AFTER THE ABOVE CHECKS THE FAULT STILL OCCURS, GET IN TOUCH WITH THE NEAREST AFTER-SALES SERVICE

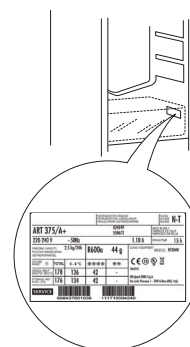
To receive assistance, call the number shown on the last page of the book.

When contacting our Client After sales service, always specify:

- a brief description of the fault;
- the type and exact model of the appliance;
- the service number (number after the word Service on the rating plate).
- your full address;
- your telephone number.

If any repairs are required, please contact an authorised aftersales service (to guarantee that original spare parts will be used and repairs carried out correctly).

Spare parts will be available for a period of either up to 7 or up to 10 years, according to the specific Regulation requirements.



* Available only on certain models

Policies, standard documentation and additional product information can be found by:

- Visiting our website www.cylinda.se
- Alternatively, **contact our After-sales Service** (Nationwide service in Sweden, call 0771252500). When contacting our After-sales Service, please state the codes provided on your product's identification plate.

The model information can be retrieved using the QR Code indicated on the energy label. The label also includes the model identifier that can be used to consult the <https://eprel.ec.europa.eu> database portal.



Cylinda



400011654237

Service

Vi har service i hela Sverige / Nationwide service in Sweden

Besök www.cylinda.se / Visit www.cylinda.se

Ring 0771-25 25 00 (endast lokaltaxa) / Call 0771-25 25 00

Uppge / Declare

Maskintyp / Model code

Serienummer / Serial number

Inköpsdatum / Purchase date

Problembeskrivning / Problem description

Namn och adress / Name and address

Ditt telefonnummer / Phone number

Kontakta oss / Contact us

www.cylinda.se